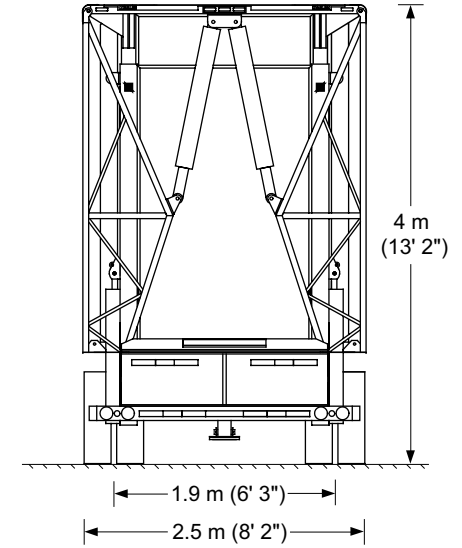
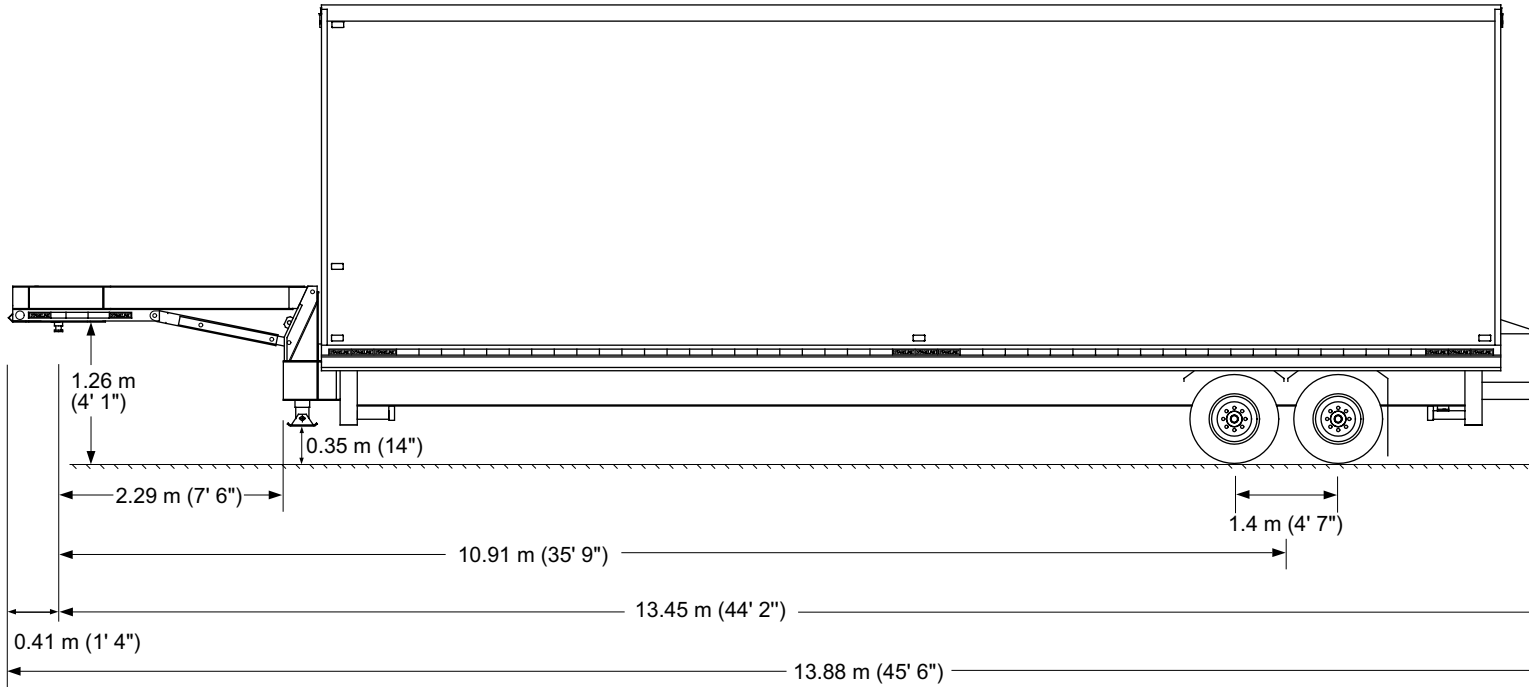




700 Marsolais Street
L'Assomption, Quebec
Canada J5W 2G9
Tel: (450) 589-1063
or 1-800-267-8243
Fax: (450) 589-1711
www.stageline.com
info@stageline.com

Stageline SL 250



Weight		Kg	Lbs
Gross Weight	(unladen)	11610	25600
Gross Weight	(laden)	16900	37260
Weight on Axles	(laden)	12365	27260
Weight at Hitch	(laden)	4540	10000

Mass & Dimensions

1. Mass may vary depending on options.
2. Technical specifications may change without notice.
3. Drawings are not to scale.

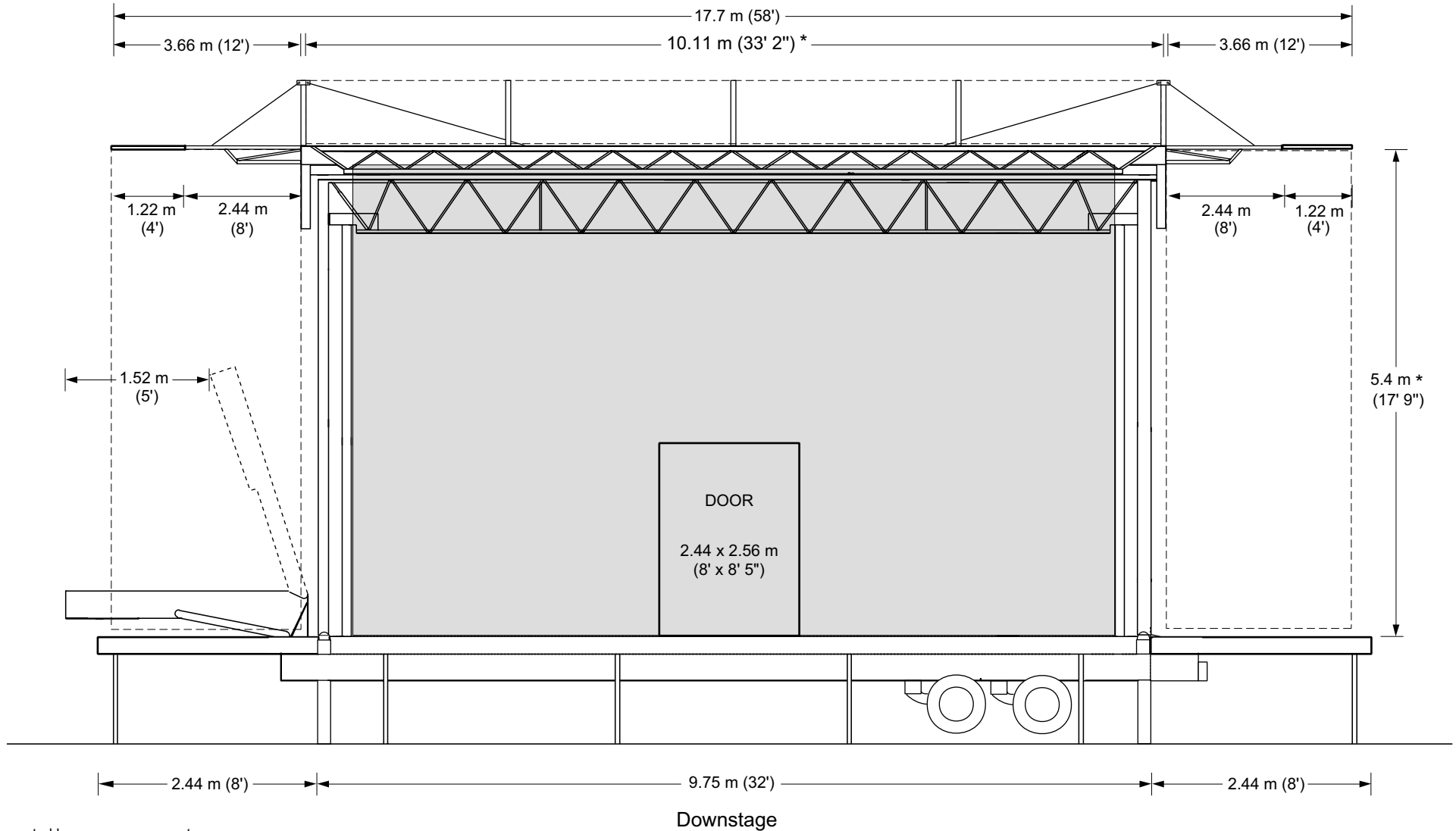
© 2000 - All rights reserved, Stageline Mobile Stage Inc®. Any and all forms of adaptation or reproduction of this document including plans and drawings found herein, in whole or in part, are strictly forbidden without the written authorisation of Stageline Mobile Stage Inc®.

Date: 2005-11-14
Ref. No.: S09-V-200-A
Revision 2



700 Marsolais Street
L'Assomption, Quebec
Canada J5W 2G9
Tel: (450) 589-1063
or 1-800-267-8243
Fax: (450) 589-1711
www.stageline.com
info@stageline.com

Stageline SL 250



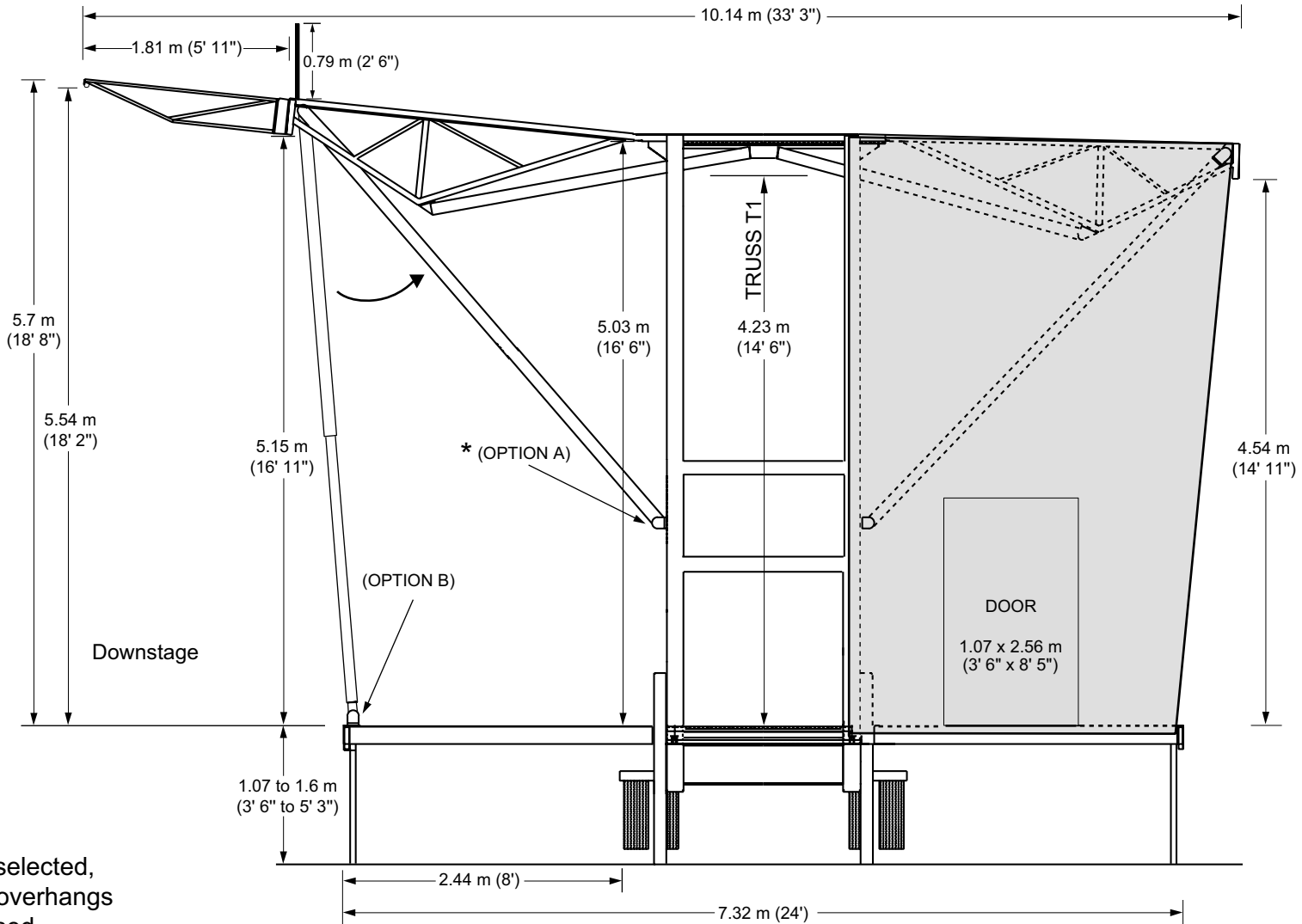
* Suggested banner measurements to allow for material to be lightly stretched for a better fit.

Front View with Windwalls and Banners



700 Marsolais Street
 L'Assomption, Quebec
 Canada J5W 2G9
 Tel: (450) 589-1063
 or 1-800-267-8243
 Fax: (450) 589-1711
 www.stageline.com
 info@stageline.com

Stageline SL 250



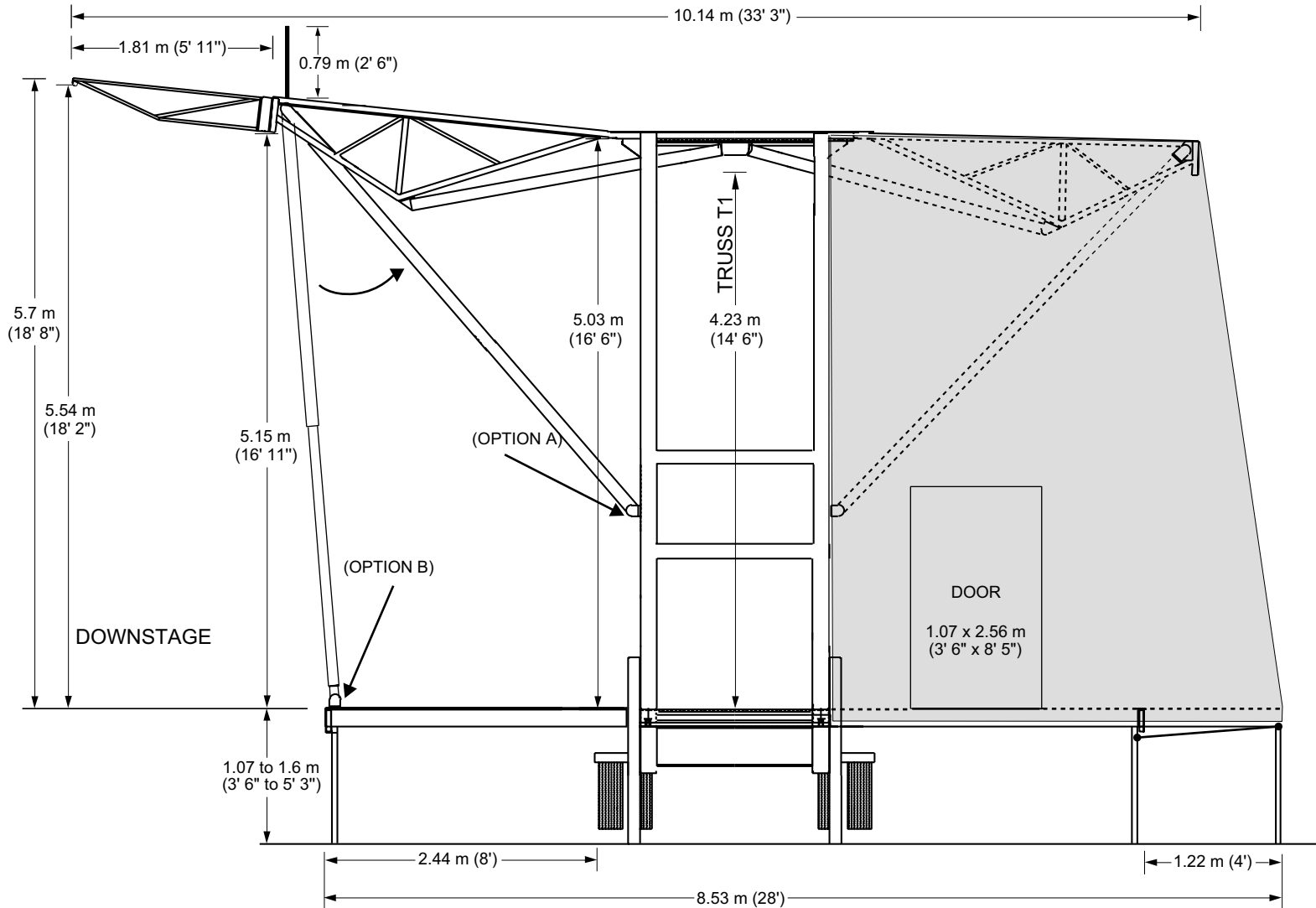
* If option A is selected, front and side overhangs must not be used.

Side View with Windwalls



700 Marsolais Street
L'Assomption, Quebec
Canada J5W 2G9
Tel: (450) 589-1063
or 1-800-267-8243
Fax: (450) 589-1711
www.stageline.com
info@stageline.com

Stageline SL 250



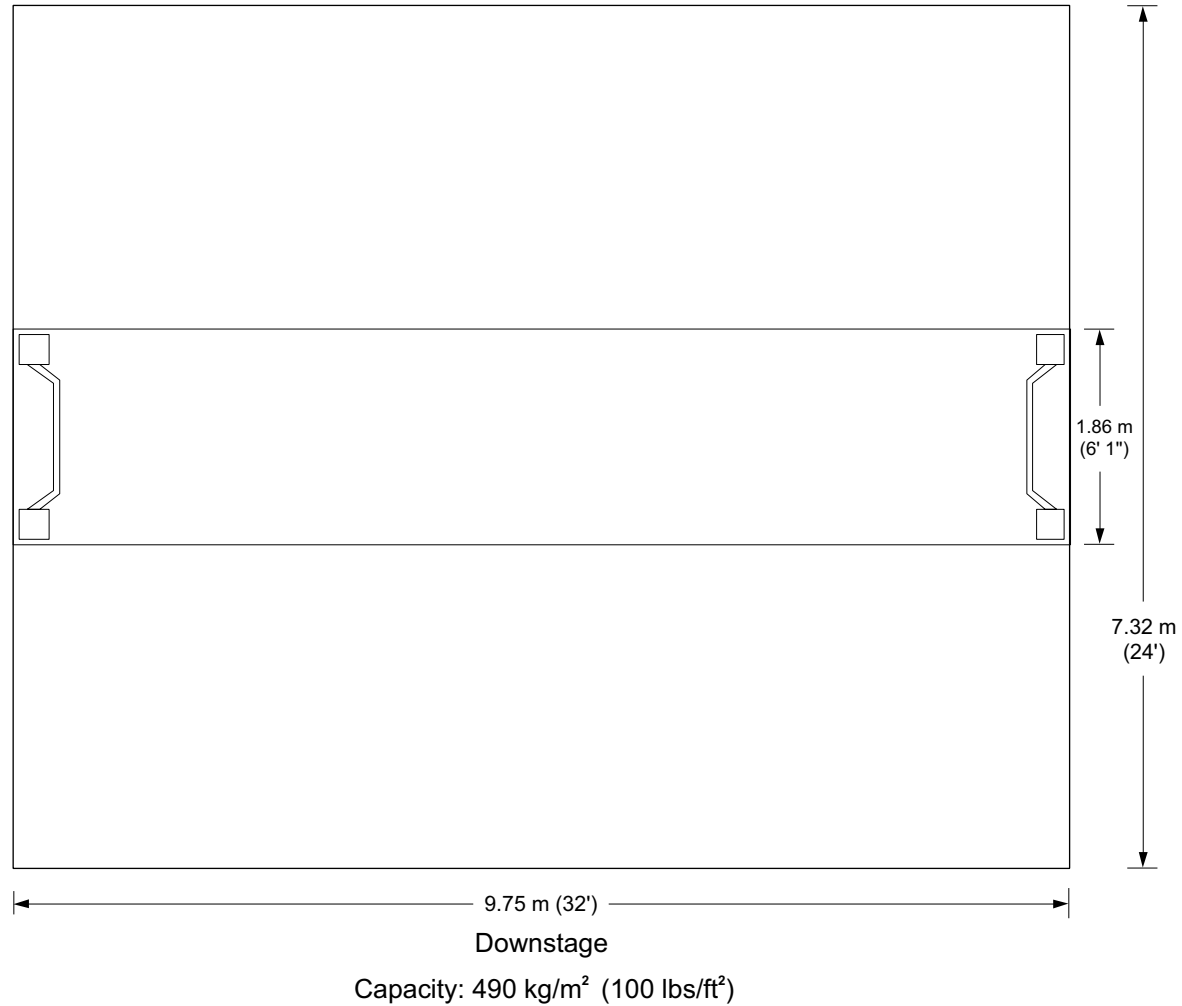
Option A: Front and side extensions are not to be used.

Side View - Windwalls and Extensions



700 Marsolais Street
L'Assomption, Quebec
Canada J5W 2G9
Tel: (450) 589-1063
or 1-800-267-8243
Fax: (450) 589-1711
www.stageline.com
info@stageline.com

Stageline SL 250

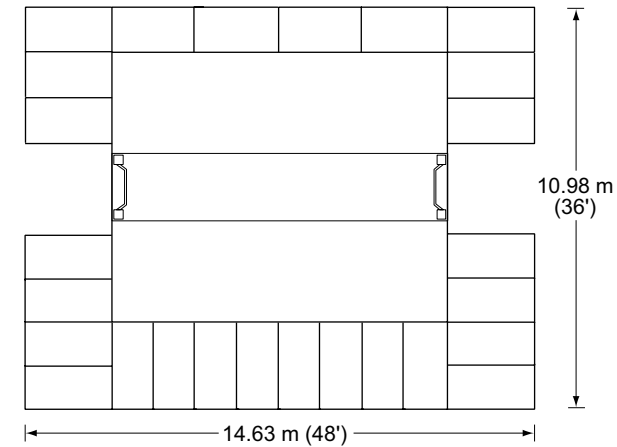
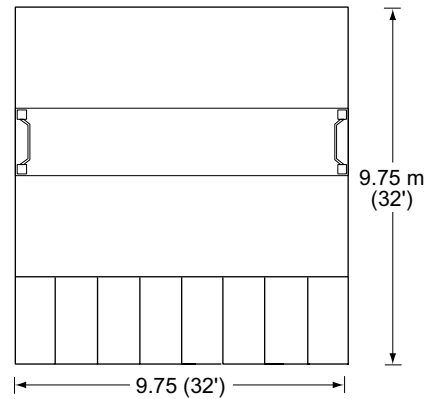
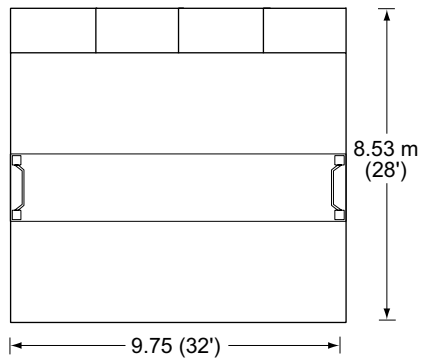
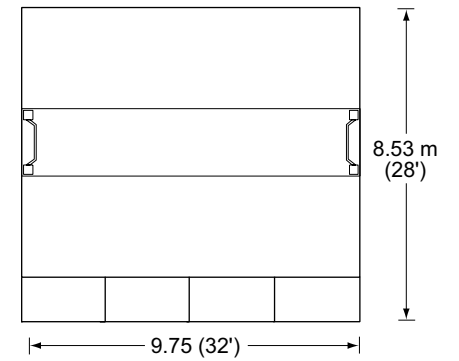
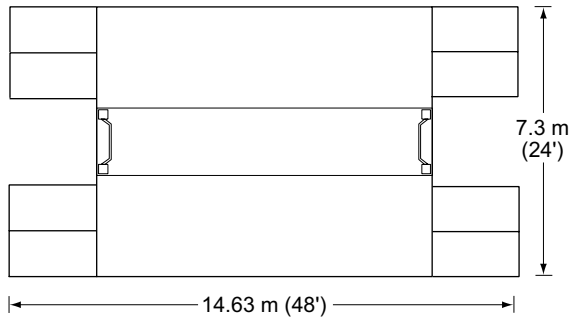
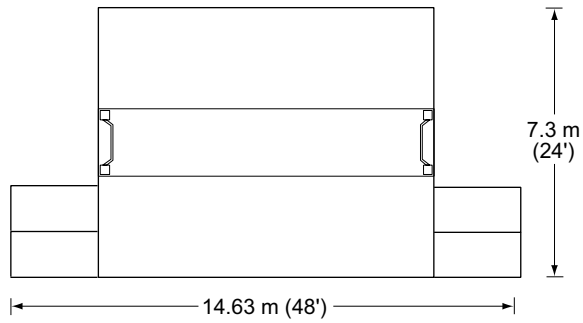


Floor View with Extension Platforms



700 Marsolais Street
L'Assomption, Quebec
Canada J5W 2G9
Tel: (450) 589-1063
or 1-800-267-8243
Fax: (450) 589-1711
www.stageline.com
info@stageline.com

Stageline SL 250

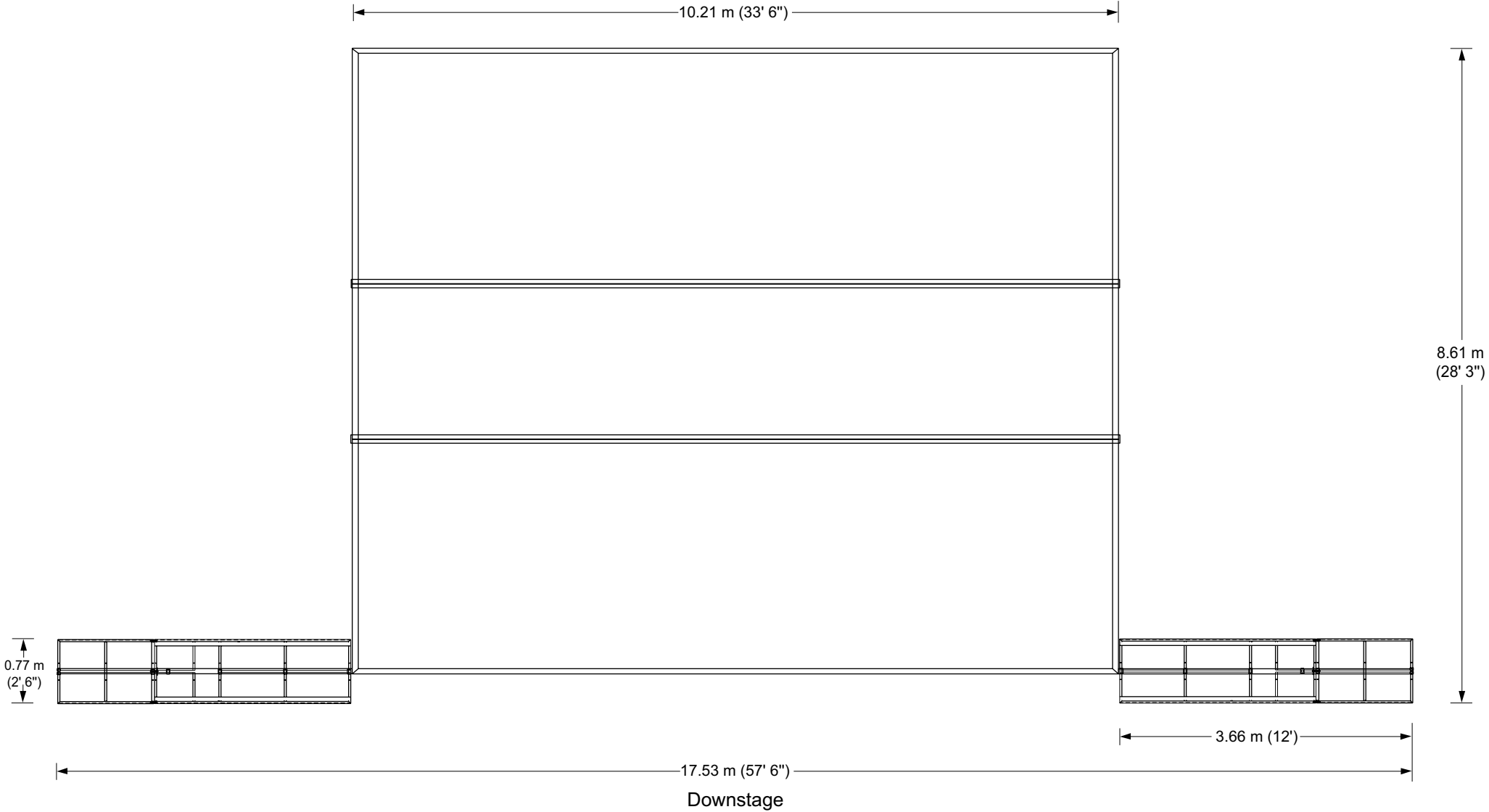


Extension Platform Layouts



700 Marsolais Street
L'Assomption, Quebec
Canada J5W 2G9
Tel: (450) 589-1063
or 1-800-267-8243
Fax: (450) 589-1711
www.stageline.com
info@stageline.com

Stageline SL 250



Roof View with Banner Supports



700 Marsolais Street
L'Assomption, Quebec
Canada J5W 2G9
Tel: (450) 589-1063
or 1-800-267-8243
Fax: (450) 589-1711
www.stageline.com
info@stageline.com

Stageline SL 250

A thorough understanding of the inter-related loadings shown in this rigging plan is needed in order to safely use this mobile stage roof and to take full advantage of the many rigging opportunities it offers.

This mobile stage roof offers a variety of rigging options with regard to load capacity, placement and type.

There are a rigging pipe, trusses, roof rigging points and side overhang rigging beams.

This rigging plan locates and defines these rigging features, includes load capacity for each and describes maximum combinations of loads amongst features.

Take note of exclusions, maximum sub-totals in a group, load balance requirements, maximum lifting capacity of roof and maximum rigging load on roof.

Rigging Point Maximum Load Capacity		
Point No.	Kg	Lbs
P1, P2, P9 & P11	454	1000
P3 & P4	318	700
P5, P6 & P10	227	500
P7 & P8	159	350

MAXIMUM LOAD BEARING CAPACITY: 5455 kg (12000 lbs)

RIGGING RESTRICTIONS

Use both P1s, P2s, P3s or P4s.

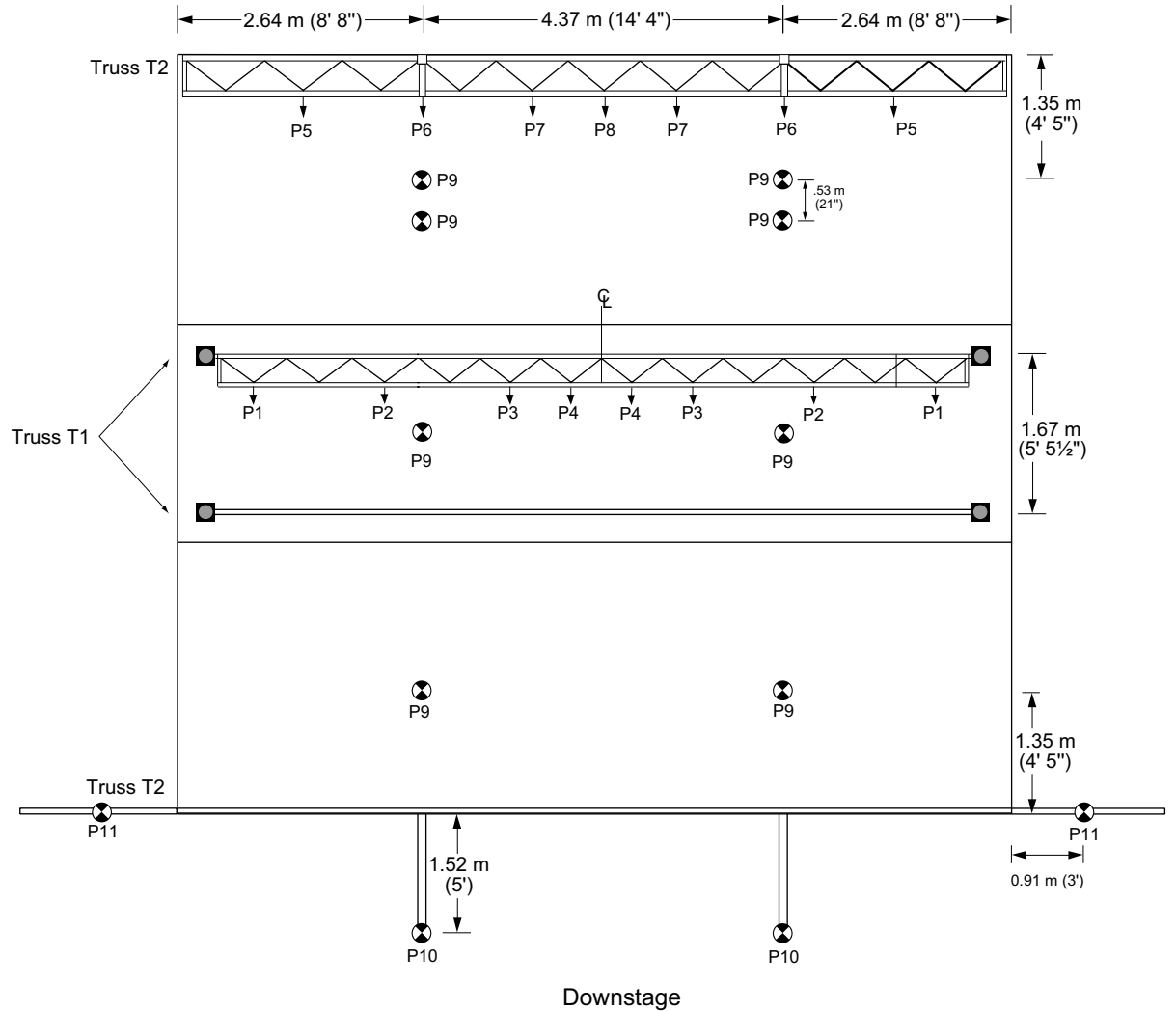
Use both P5s, P6s, P7s or P8 alone.

Do not load P10s concurrently with P5s to P9s.

Total load on P4s must not exceed 318 kg (700 lbs).

Load must not exceed 454 kg (1000 lbs) when using both left or right upstage panel P9s.

All loads should be evenly distributed.



Rigging Plan

Stageline SL 250

A thorough understanding of the inter-related loadings shown in this rigging plan is needed in order to safely use this mobile stage roof and to take full advantage of the many rigging opportunities it offers.

This mobile stage roof offers a variety of rigging options with regard to load capacity, placement and type.

There are a rigging pipe, trusses, roof rigging points and side overhang rigging beams.

This rigging plan locates and defines these rigging features, includes load capacity for each and describes maximum combinations of loads amongst features.

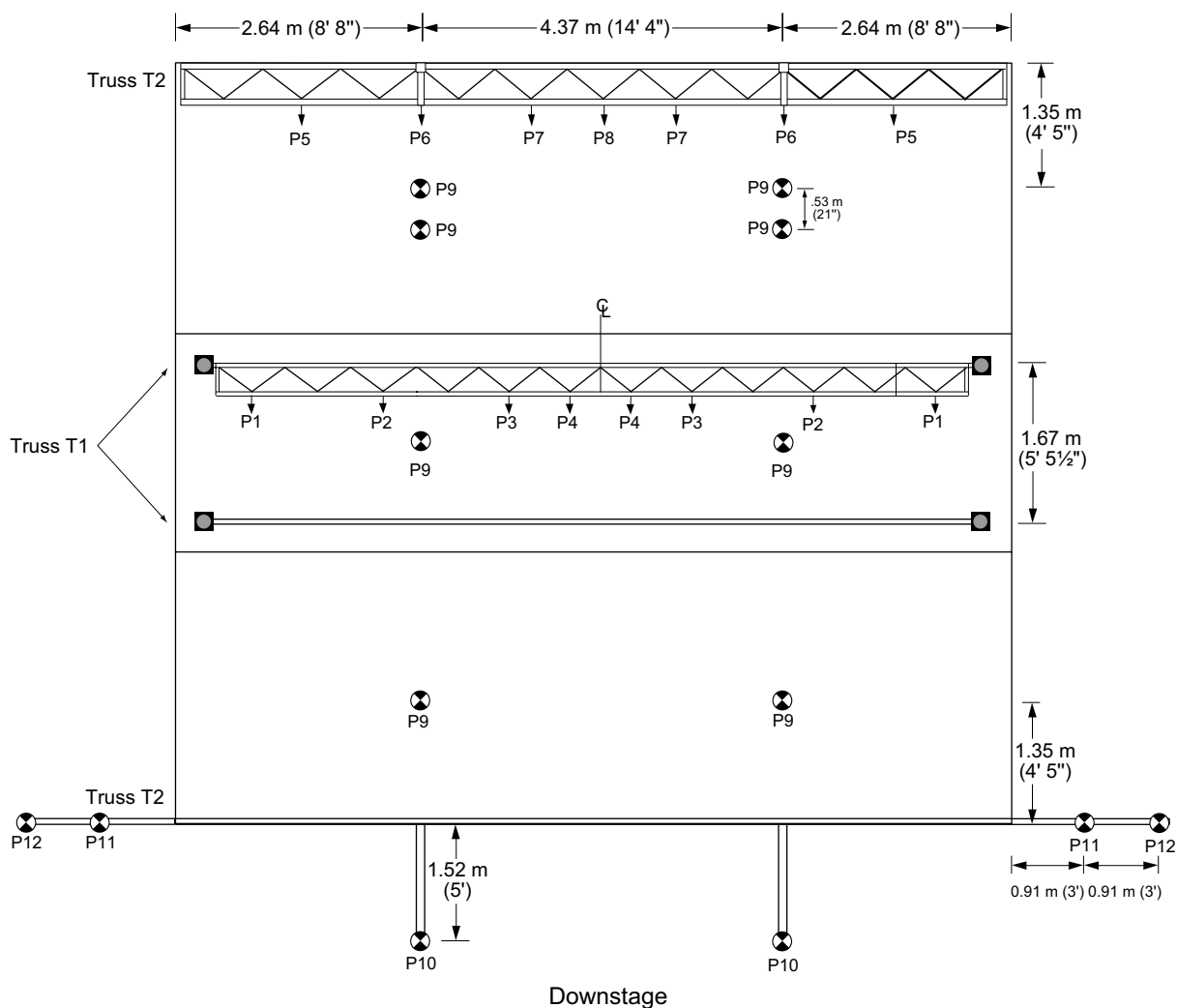
Take note of exclusions, maximum sub-totals in a group, load balance requirements, maximum lifting capacity of roof and maximum rigging load on roof.

Rigging Point Maximum Load Capacity		
Point No.	Kg	Lbs
P11 & P12	908	2000
P1, P2 & P9	454	1000
P3 & P4	318	700
P5, P6 & P10	227	500
P7 & P8	159	350

MAXIMUM LOAD BEARING CAPACITY: 5455 kg (12000 lbs)

RIGGING RESTRICTIONS

- Use both P1s, P2s, P3s or P4s.
- Use both P5s, P6s, P7s or P8 alone.
- Total load on P11 and P12 must not exceed 908 kg (2000 lbs).
- Total load on P4s must not exceed 318 kg (700 lbs).
- Total load must not exceed 454 kg (1000 lbs) when using both left or right upstage panel P9s.
- Do not load P10s concurrently with P5s to P9s.
- All loads should be evenly distributed.

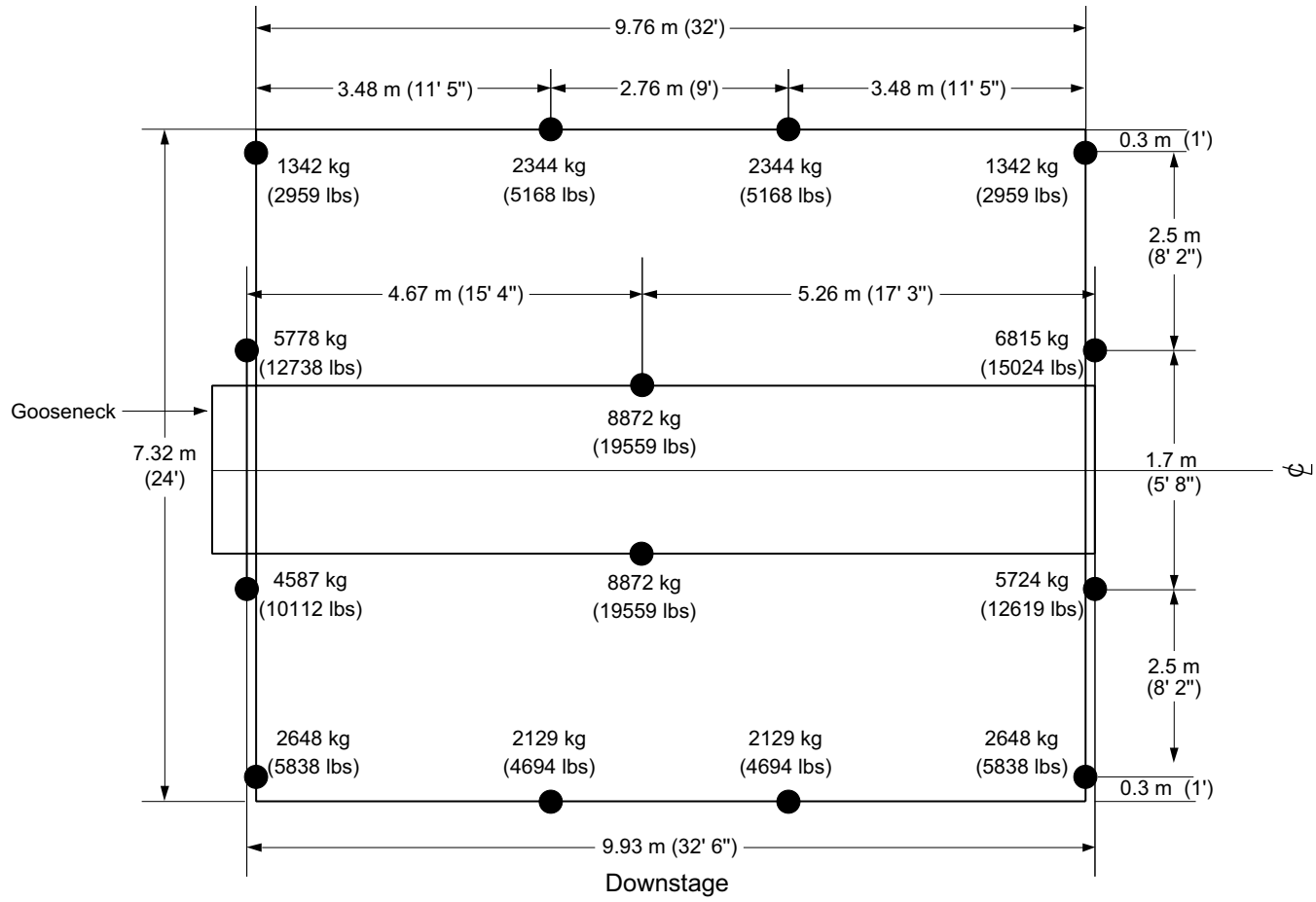


Rigging Plan - 908 kg (2000 lbs)



® 700 Marsolais Street
 L'Assomption, Quebec
 Canada J5W 2G9
 Tel: (450) 589-1063
 or 1-800-267-8243
 Fax: (450) 589-1711
 www.stageline.com
 info@stageline.com

Stageline SL 250



Ground Support Capacity